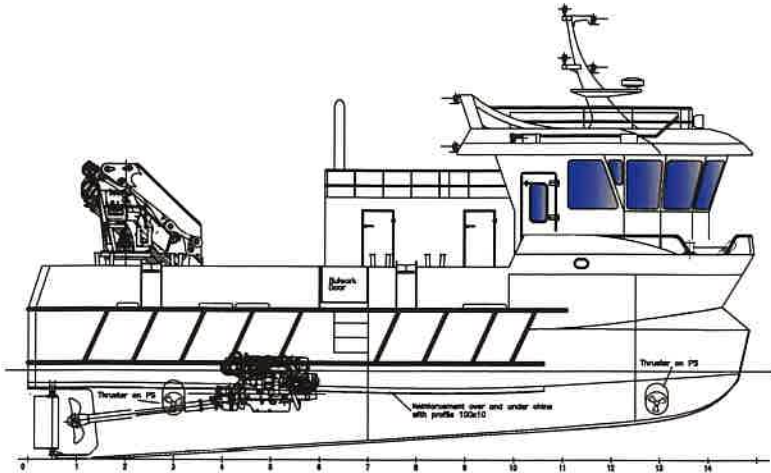
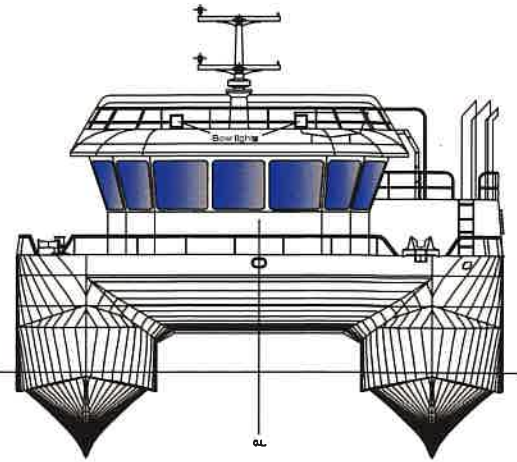


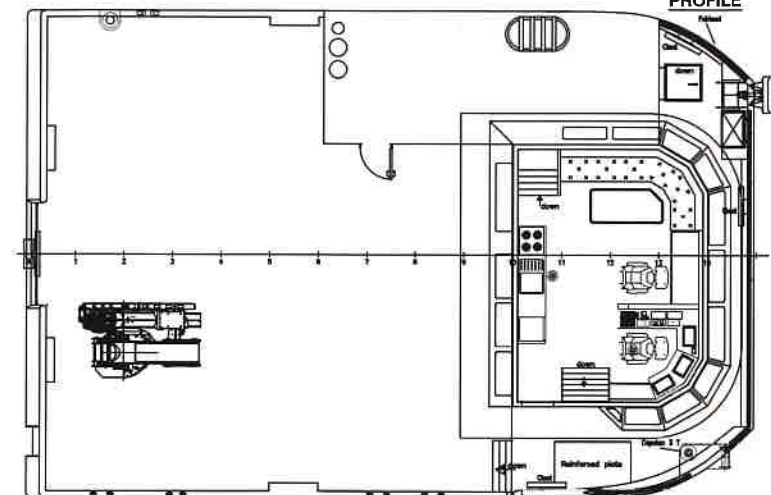
PLAN HISTORY							
DATE	REV.	NAME	QTY.	ISSUE NO.	DESCRIPTION	ISSUED BY	APPROVED BY



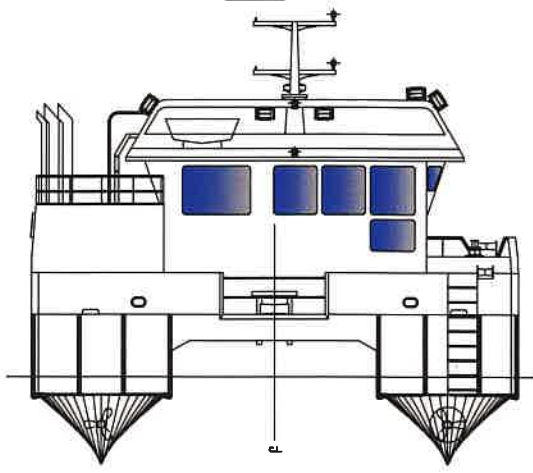
PROFILE



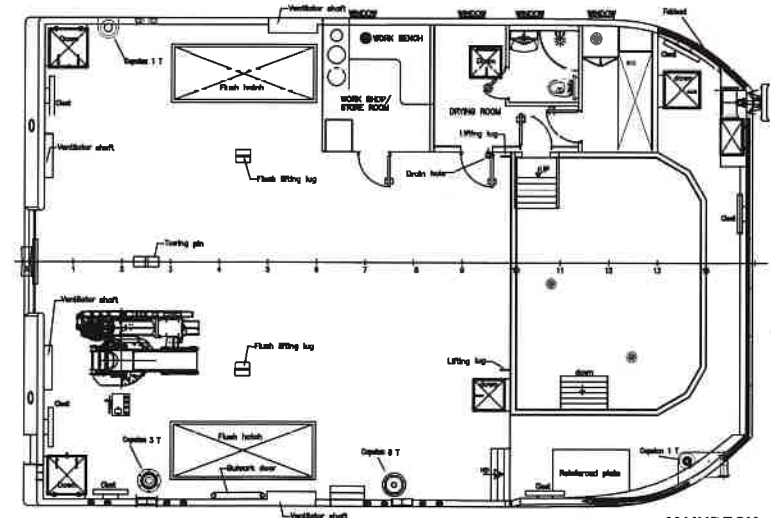
FRONT



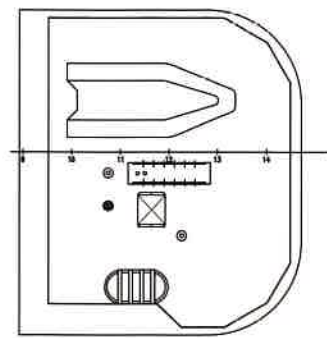
WHEELHOUSE



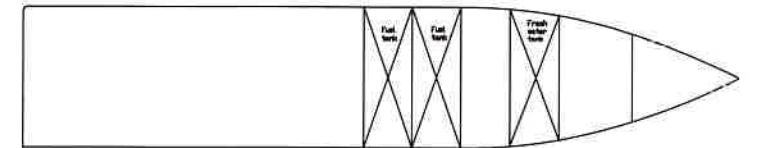
AFT



MAINDECK



MONKEY ISLAND



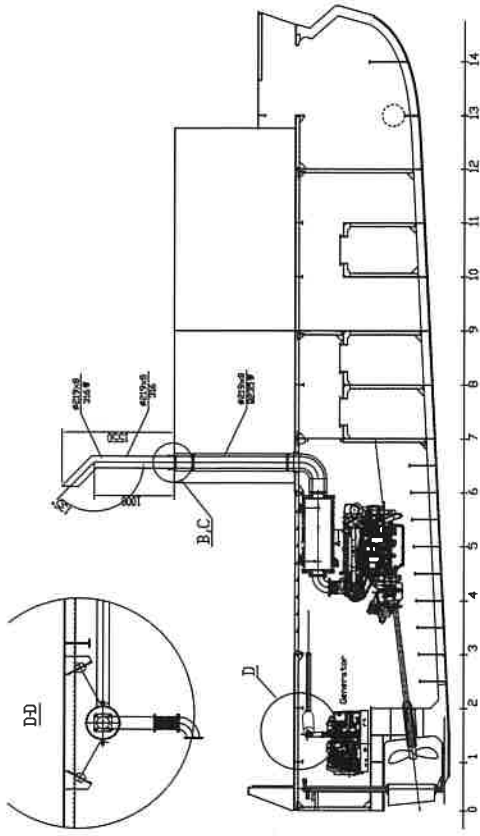
BELOW MAIN DECK

MAIN DIMENSIONS:

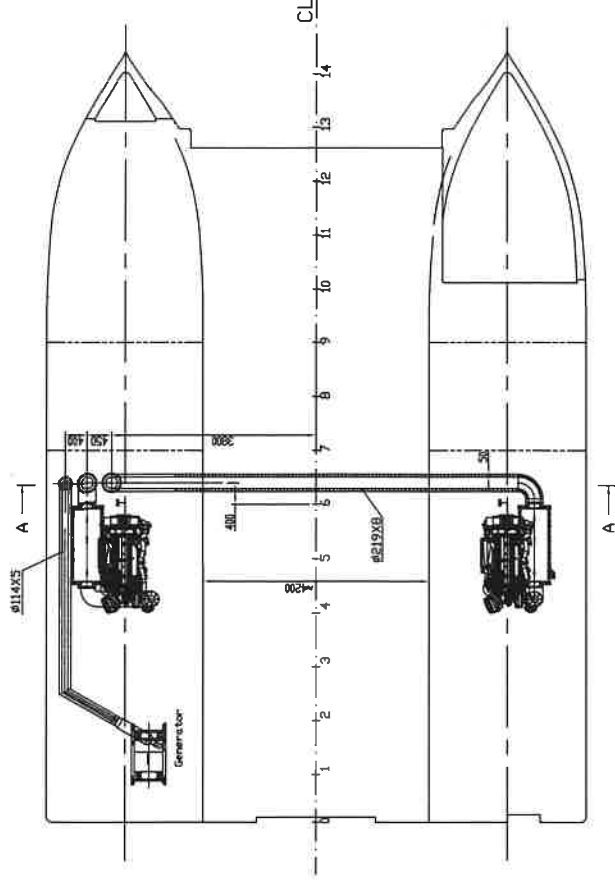
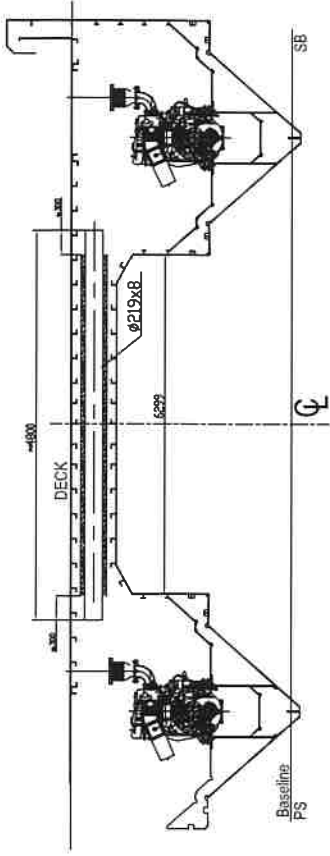
LENGTH O.A : 14.98 M  
 BREADTH : 10.00 M

NO.	0224 WB 02	GENIE	COMPLETE DESIGN
DESIGN	01	SABCAT-149-1508-DW02	FH1317-100-01
CLASS			
ITEM	NO.	DATE	REVISED
DESIGN	01/02	2013-11-27	
CHECK	02/01	2013-11-27	
REVIEW	03/01	2013-11-27	
ISSUED	04/01	2013-11-27	
APPROVAL	05/01	2013-11-27	
GENERAL ARRANGEMENT			NOV 1 MEET MEET 1
DALAN LUSHUN BINHAI SHIPPING REPAIRING & BUILDING CO.LTD			

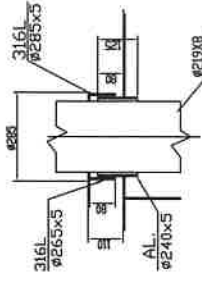
BH1317-464-1



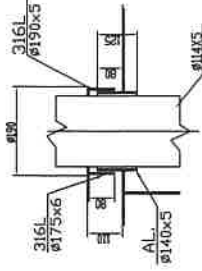
A-A  
FrG#



B



C

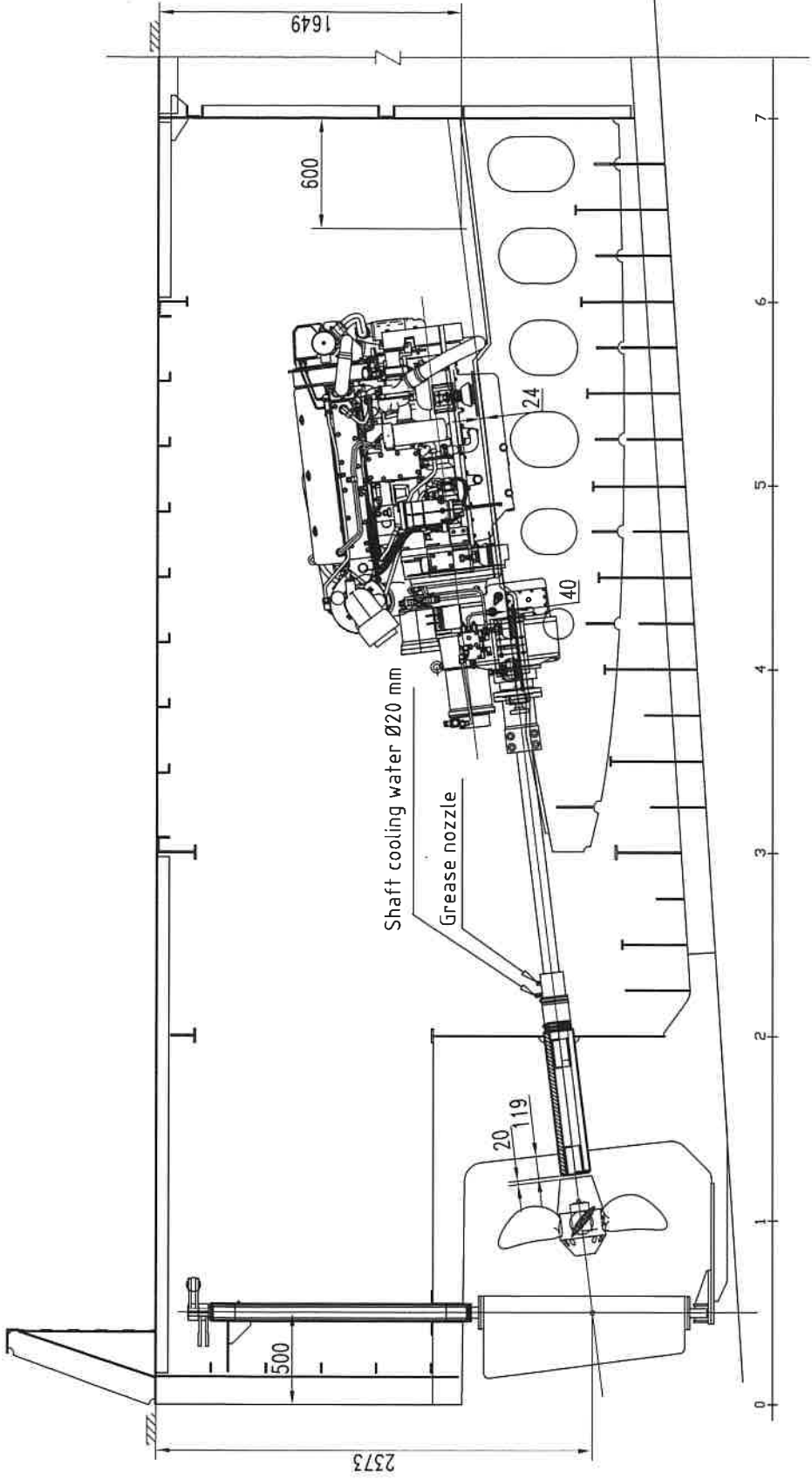


ND.	BZ14-MM-02	GERE	COMPLETE DESIGN
EDITION	0	NABCAT-149-1508-BH02	BH1317-464-1
DESIGN	QUAN	Exhaust System	重量, kg
CHECK	HU		SCALE
REVIEW	DATE		TOTAL SHEET
STANDA	LU		1 SHEET
APPROV	LU	2015.08.01	DALIAN LVSHUN BINHAI SHIPPING REPAIRING & BUILDING CO.,LTD

会 签

日期	份数
日期	晒图记录
日期	旧版图登记号
日期	版图登记号
日期	签字
日期	日期

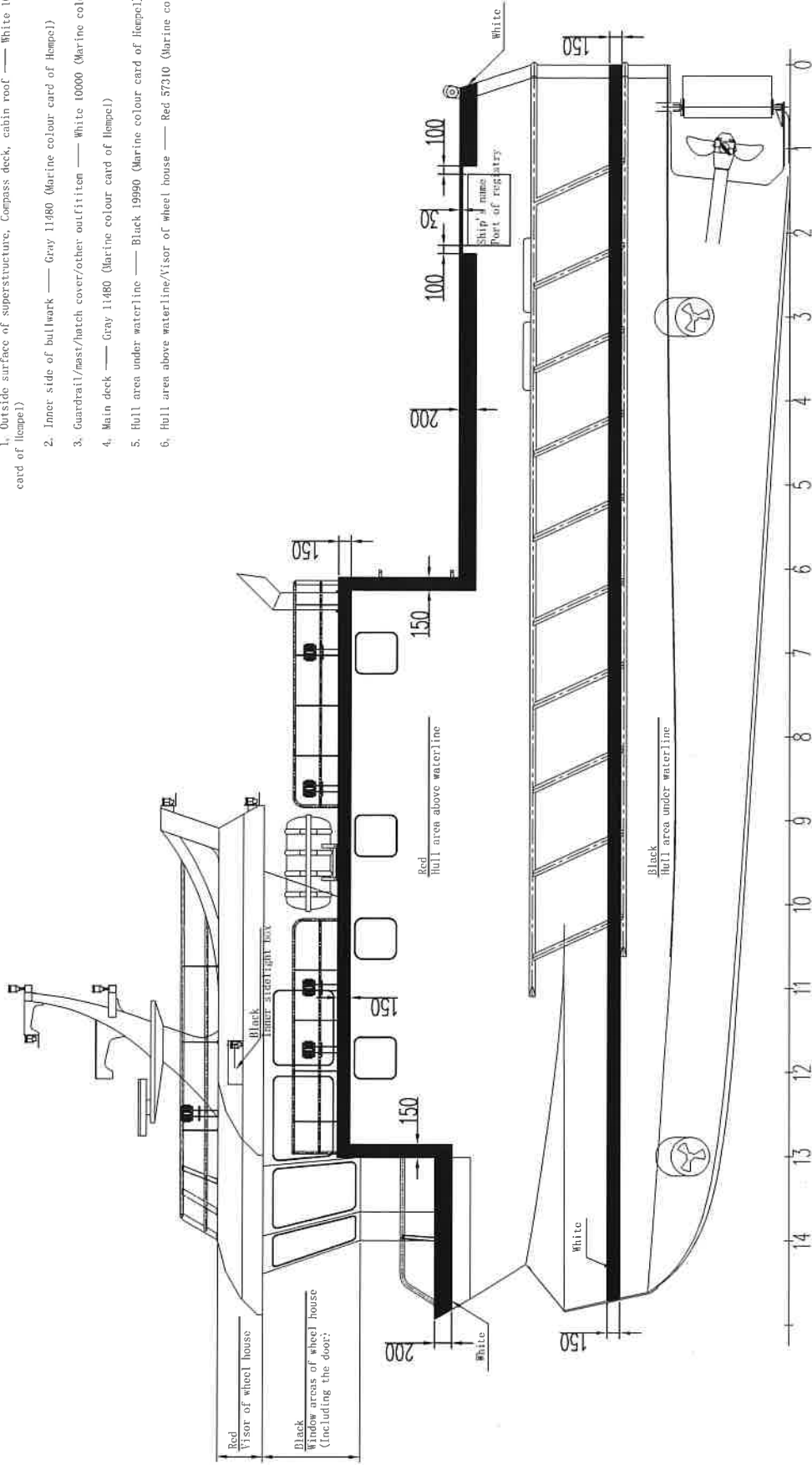
BH1317-421-1



The distance between two shafts is 7100mm.

No.	BZ14-MW-02	COMPLETE DESIGN	
EDITION	0	BH1317-421-1	
CLASS		W. (kg)	SCALE
ITEM	SIGN	TOTAL 1 SHEET	SHEET 1
DESIGN	DATE	1:25	
CHKD.	2015-11-17	Dalian Lushun Binhai Shipping	
REVIEW	2015-11-21	Repairing & Building Co., Ltd.	
STANDA.	2015-11-22		
APPROV.	2015-11-23		
		SHAFT ARRANGEMENT	
		GERE	
		NABCAT-149-1508-BH02	

- Others:
1. Outside surface of superstructure, Compass deck, cabin roof — White 10000 (Marine colour card of Hempel)
  2. Inner side of bulkwork — Gray 11480 (Marine colour card of Hempel)
  3. Guardrail/mast/hatch cover/other outfititem — White 10000 (Marine colour card of Hempel)
  4. Main deck — Gray 11480 (Marine colour card of Hempel)
  5. Hull area under waterline — Black 19990 (Marine colour card of Hempel)
  6. Hull area above waterline/visor of wheel house — Red 57310 (Marine colour card of Hempel)



Counter signature

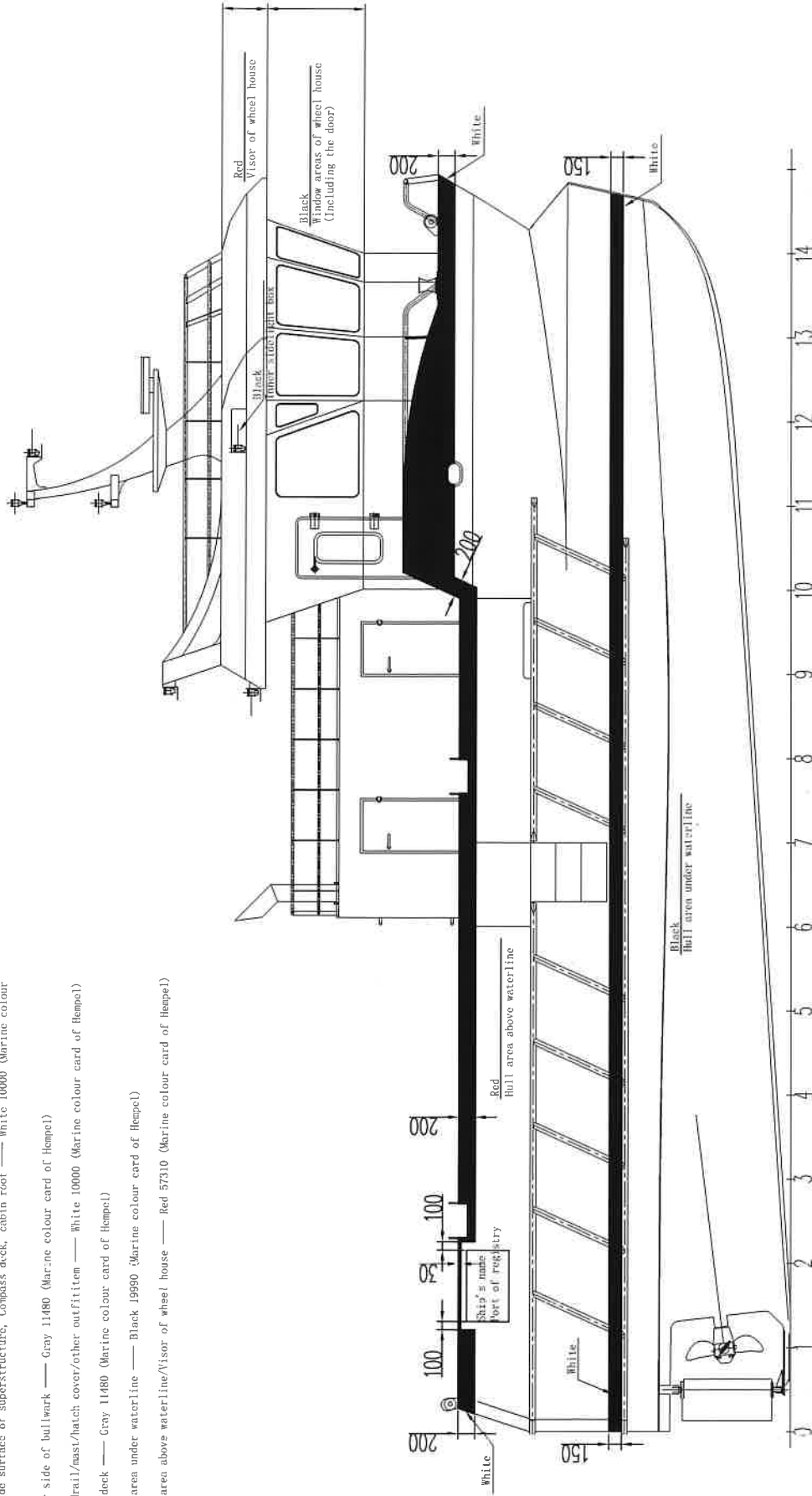
Technical requirement:

1. Some positions which are not painted should be covered to against pollution, such as sacrificial anodes / sonar detector / propeller / stainless steel products.
2. The ship's name, port of registry, draft marks are white.
3. Paint maker: Hempel.

NO	BZ14-MM-02	GERE		COMPLETE DESIGN	
EDITION	0	NABCAT-149-1508-BH02		BH1317-390-002	
CLASS		Topcoats color		W. (Kg)	SCALE
ITEM	SIGN	DATE	TOTAL 2 SHEET	SHEET 1	
DESIGN	K. Y. YUE	12.01.2015	DALIAN LUSHUN BINHAI SHIPPING		
CHECK	H. SUN	12.01.2015	REPAIRING & BUILDING CO.LTD.		
REVIEW	Z. W. SONG	12.01.2015			
STANDA.	N. Z. ZHANG	12.01.2015			
APPROV.	Q. D. LU	12.01.2015			

Others:

1. Outside surface of superstructure, Compass deck, cabin roof — White 10000 (Marine colour card of Hempel)
2. Inner side of hullwork — Gray 11480 (Marine colour card of Hempel)
3. Guardrail/mast/hatch cover/other outfitting — White 10000 (Marine colour card of Hempel)
4. Main deck — Gray 11480 (Marine colour card of Hempel)
5. Hull area under waterline — Black 19990 (Marine colour card of Hempel)
6. Hull area above waterline/visor of wheel house — Red 57310 (Marine colour card of Hempel)



Counter signature		Date	QTY
		Print record	
		Old for reproduction total number	
		Image registration no.	
		SIG.	Date