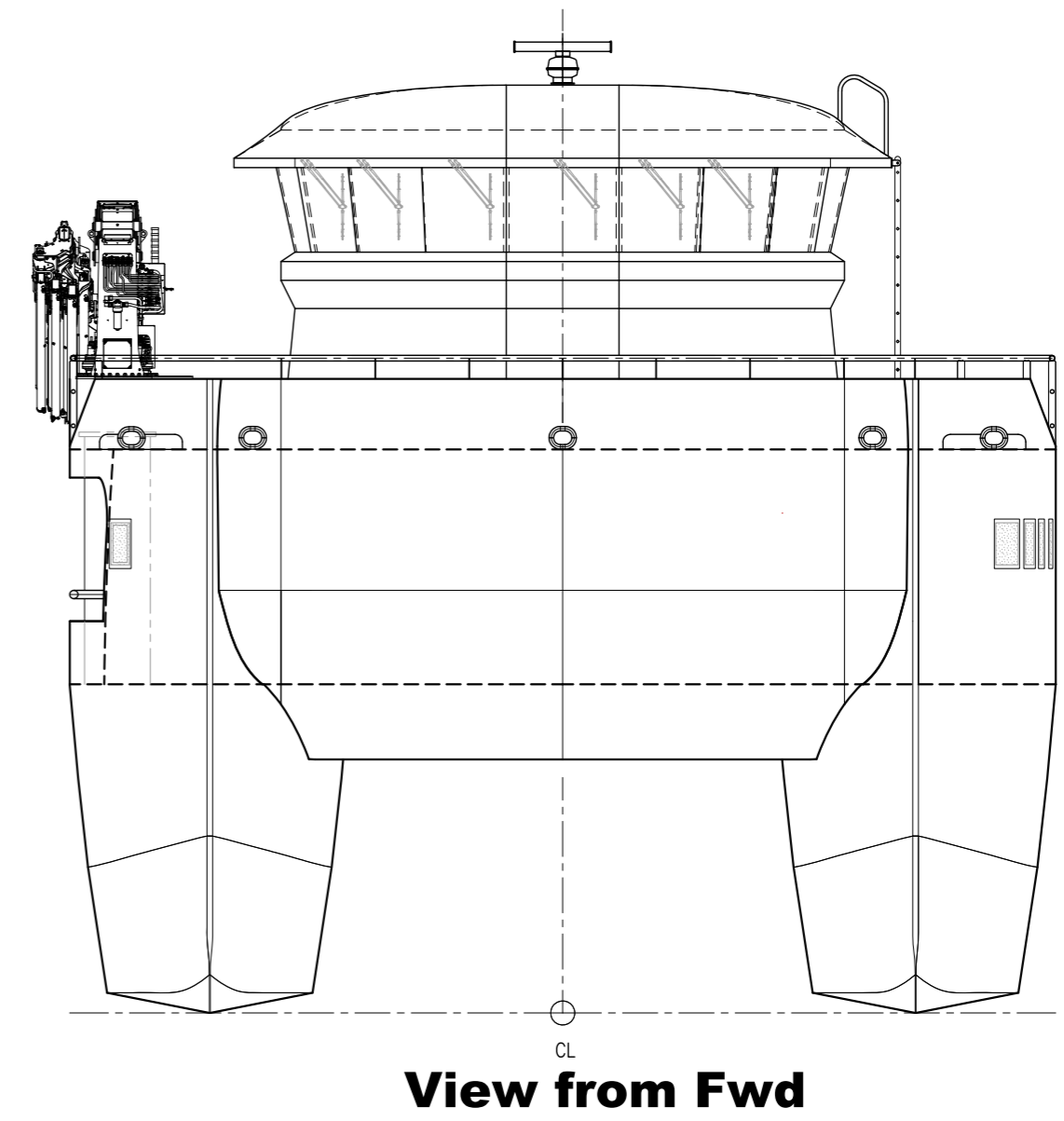
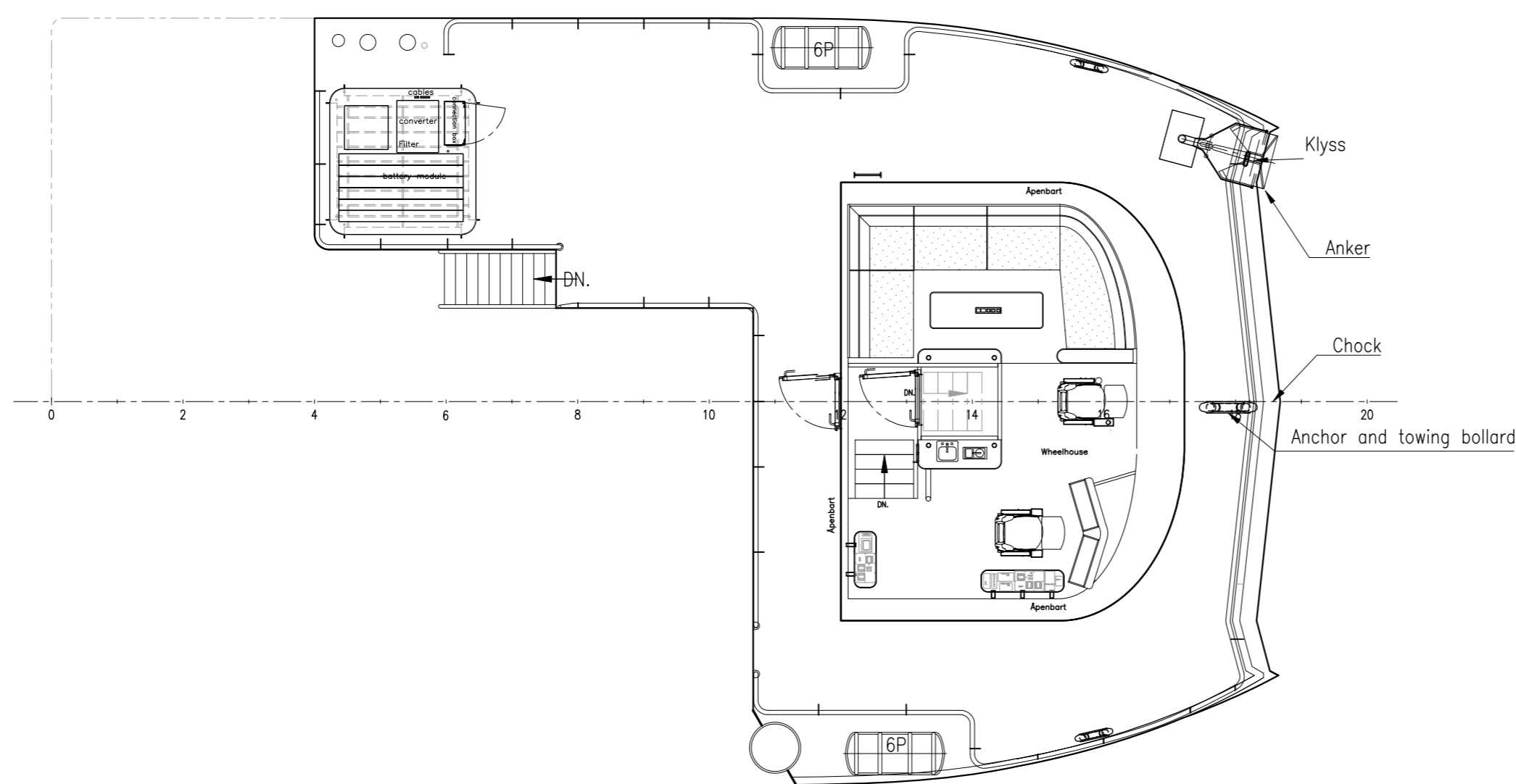


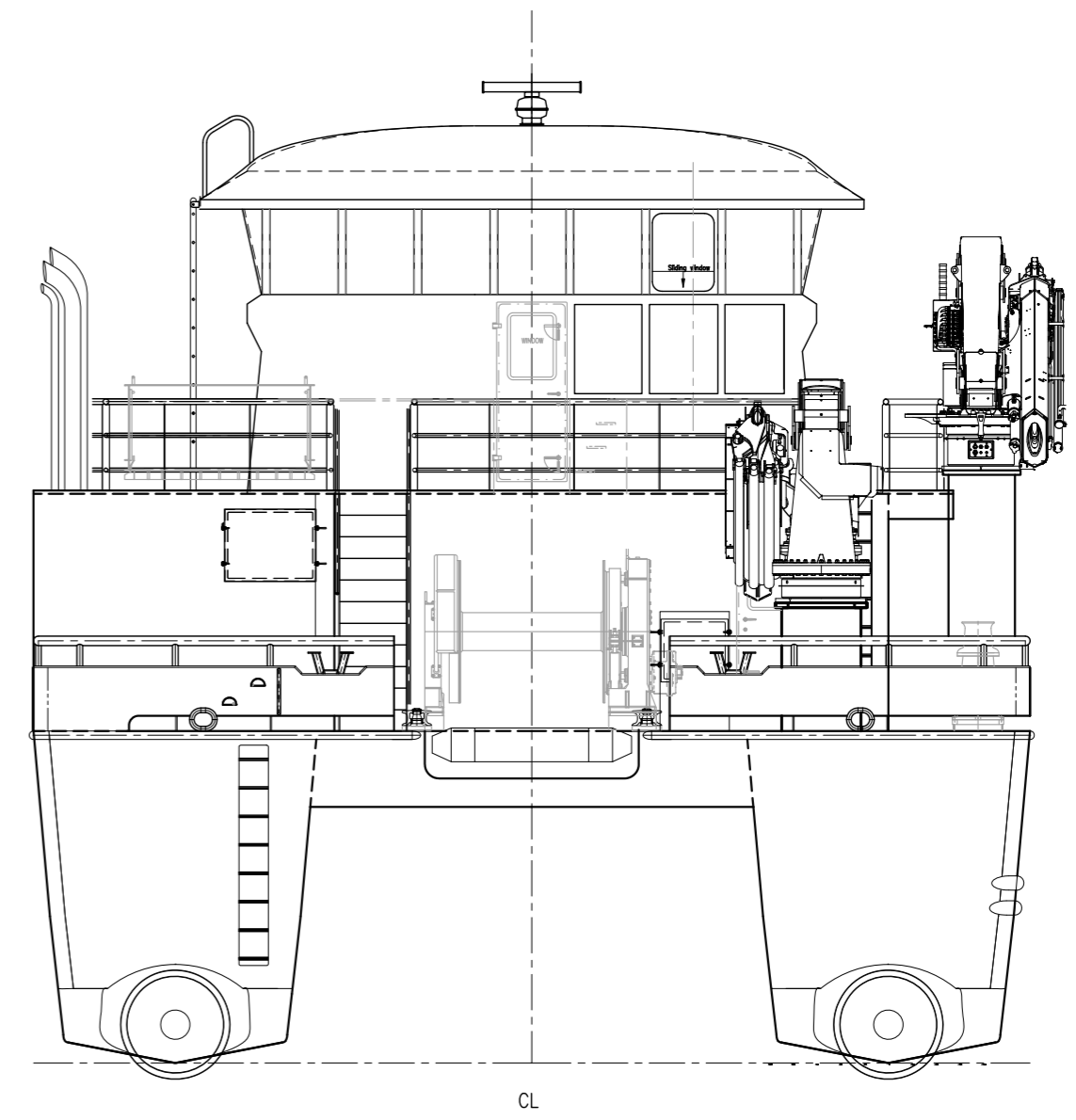
Profil



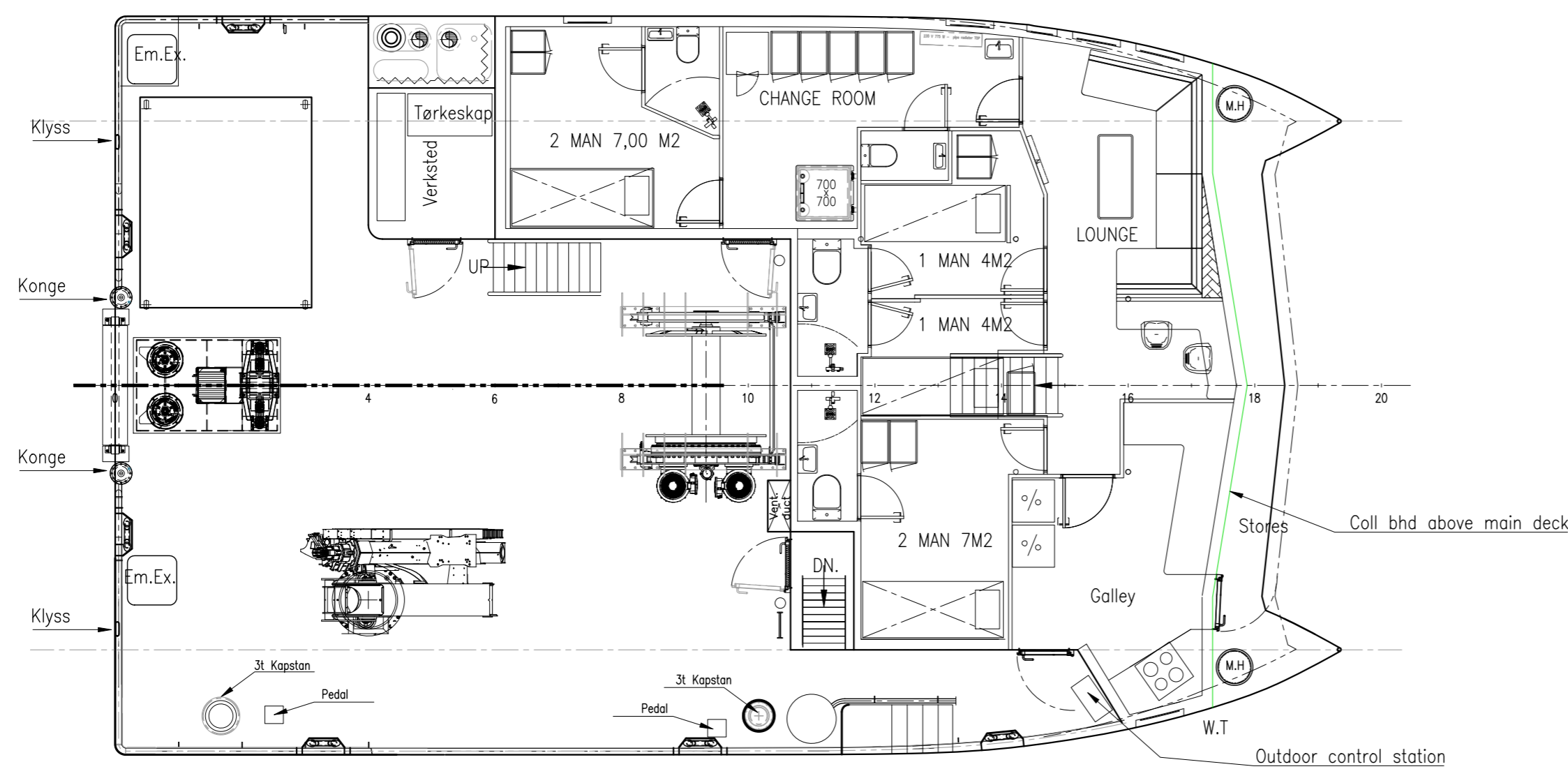
View from Fwd



Plan Bro dekk



View from Aft

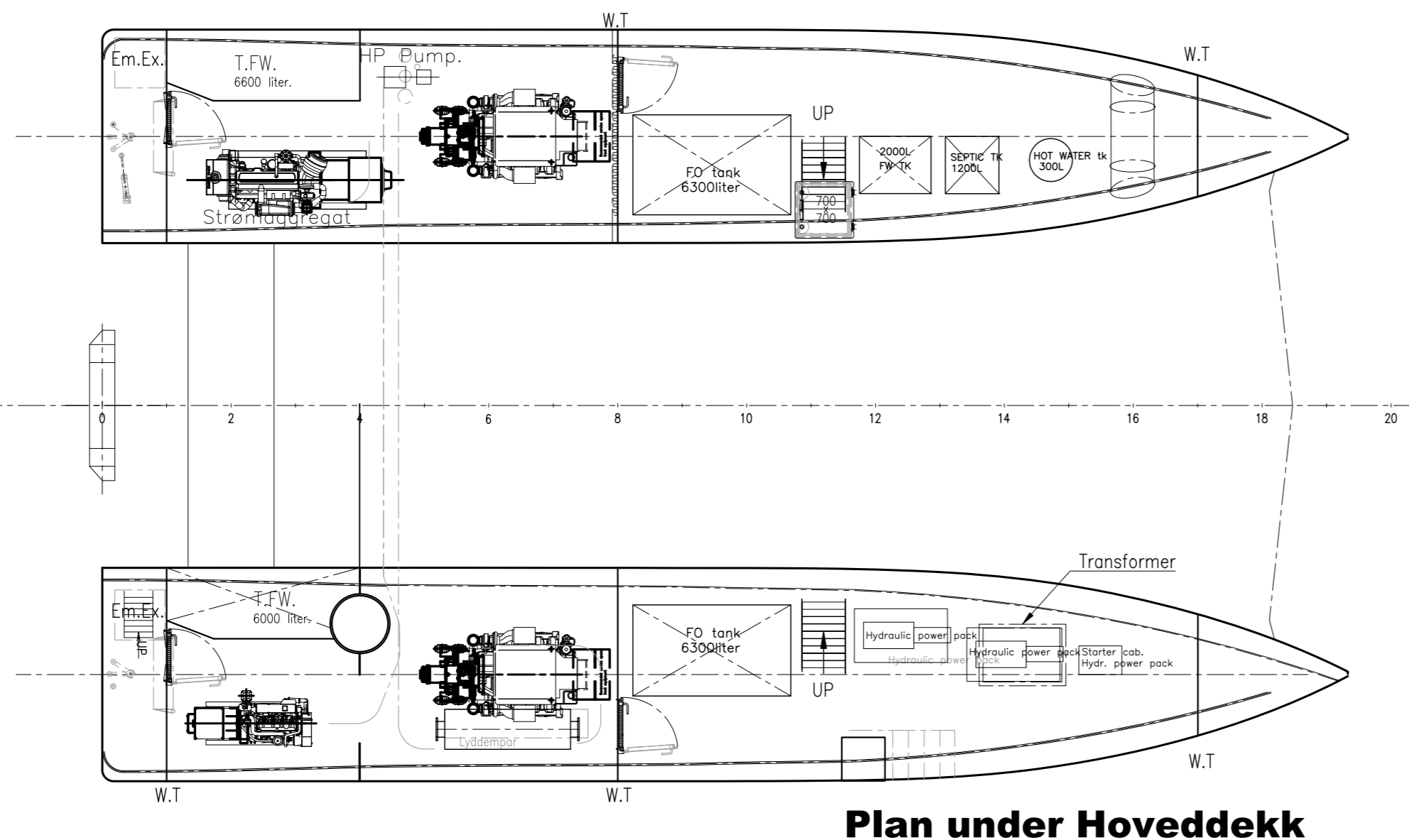


Plan Hoveddekk

HOVEDDIMENSJONER

Lengde O.A	17,4	m
Lengde P.P	17,0	m
Bredde	10,5	m
D. hoveddekk	3,5	m
KWL	2,0	m
Spanteavstand	0,9	m
Foldekrane	65	tm
Foldekrane	41	tm
Hovedmotor	2x499	hk
Dekkslast	80	tonn
Fartsområde	4	

Rules applicable:
- FOR-1853-
- DNV-Craft



Plan under Hoveddekk

<p>J. Batteries, Accumulated, Etc. Mak/22.08.2021</p> <p>I. Stores re-arranged Mak/27.05.2021</p> <p>H. Added Aft and Front view Mak/07.04.2021</p> <p>G. Updates Mak/18.03.2021</p> <p>F. New arr under deck. Updated Mak/15.02.2021</p> <p>E. Belkass/Mechanical revised 18021 Mak/03.02.2021</p> <p>D. Oppdatert etter TM 21.12 ABa22.12.2020</p> <p>C. Oppdatert etter møte på Os ABa/17.12.2020</p> <p>B. Oppdatert etter møte på Os ABa/16.12.2020</p> <p>A. Oppdatert etter revidering ABa/14.12.2020</p>	<p>TITLE GA-Plan "BAKKASUND"</p> <p>PROJECT Risnes Marine Craft AS</p> <p>DESCRIPTION GLESVER SHIP DESIGN AS NAVAL ARCHITECTS AND MARINE ENGINEERS GJERTRUDEVEIEN 11D, 5353 STRAUME, NORWAY TEL.: +47 489 97 626 EMAIL: office@gsdesign.no WEB: www.gsdesign.no</p> <p>REVISION Glesver Ship Design</p>	<p>DRAWN BAI</p> <p>CHECKED MaKi</p> <p>SCALE 1=75</p> <p>SHEET 1 of 1</p> <p>DRAWING NUMBER 228-20071-101-01</p>	<p>DATE 11.12.2020</p> <p>DATE 14.12.2020</p> <p>FORMAT A1</p> <p>REV J</p>
--	---	---	---